



(19) **United States**

(12) **Patent Application Publication**
Fink

(10) **Pub. No.: US 2009/0298381 A1**

(43) **Pub. Date: Dec. 3, 2009**

(54) **SHADOW ACTIVITY BOOK**

(52) **U.S. Cl. 446/80**

(76) **Inventor: Steven Roy Fink, Stroudsburg, PA (US)**

(57) **ABSTRACT**

Correspondence Address:
**MCCARTER & ENGLISH, LLP NEWARK
FOUR GATEWAY CENTER, 100 MULBERRY
STREET
NEWARK, NJ 07102 (US)**

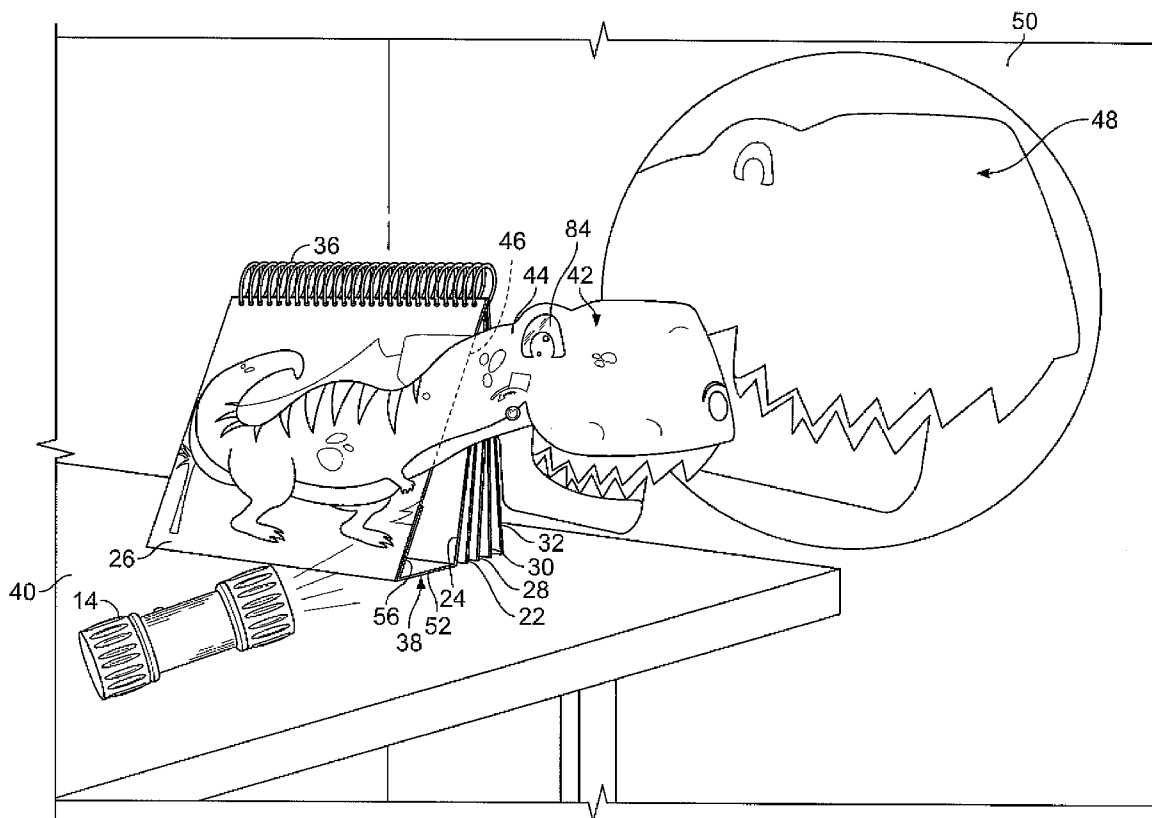
Disclosed herein is a shadow activity book comprising a bound arrangement of pages that includes a cover and a plurality of pages. A novelty item is secured to a page and movable from a first position, in which the novelty item is positioned substantially within a perimeter of the bound arrangement, and a second position, in which the novelty item extends beyond the perimeter of the bound arrangement. The novelty item can be provided with opaque, transparent, and/or translucent sections, and a flashlight can be provided for projecting onto a wall a shadow image of the novelty item. In some aspects, the shadow image includes a design disposed on a transparent/translucent section of the novelty item. A writing instrument can be provided for disposing the design on the transparent/translucent section.

(21) **Appl. No.: 12/129,979**

(22) **Filed: May 30, 2008**

Publication Classification

(51) **Int. Cl. A63H 33/00 (2006.01)**



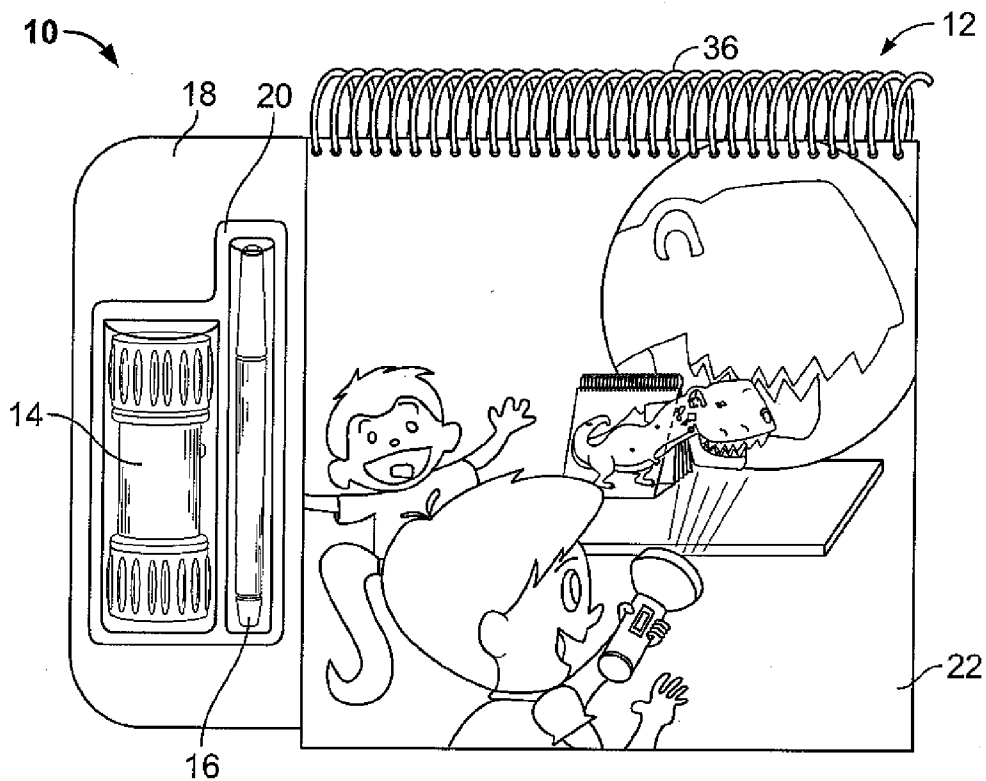


FIG. 1

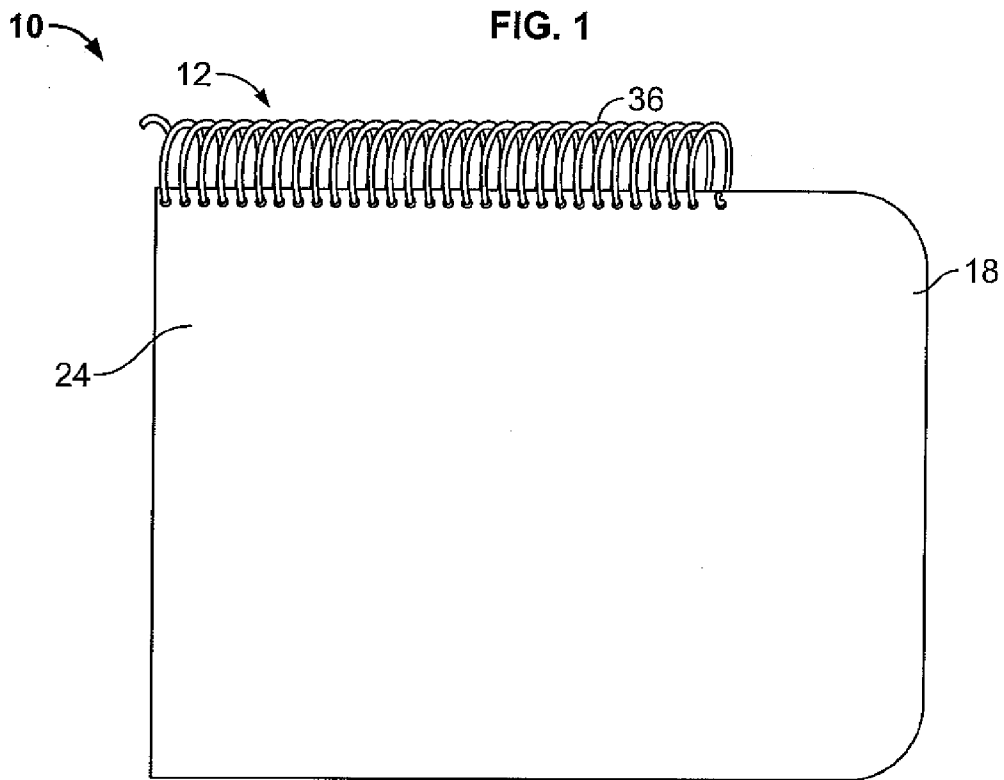


FIG. 2

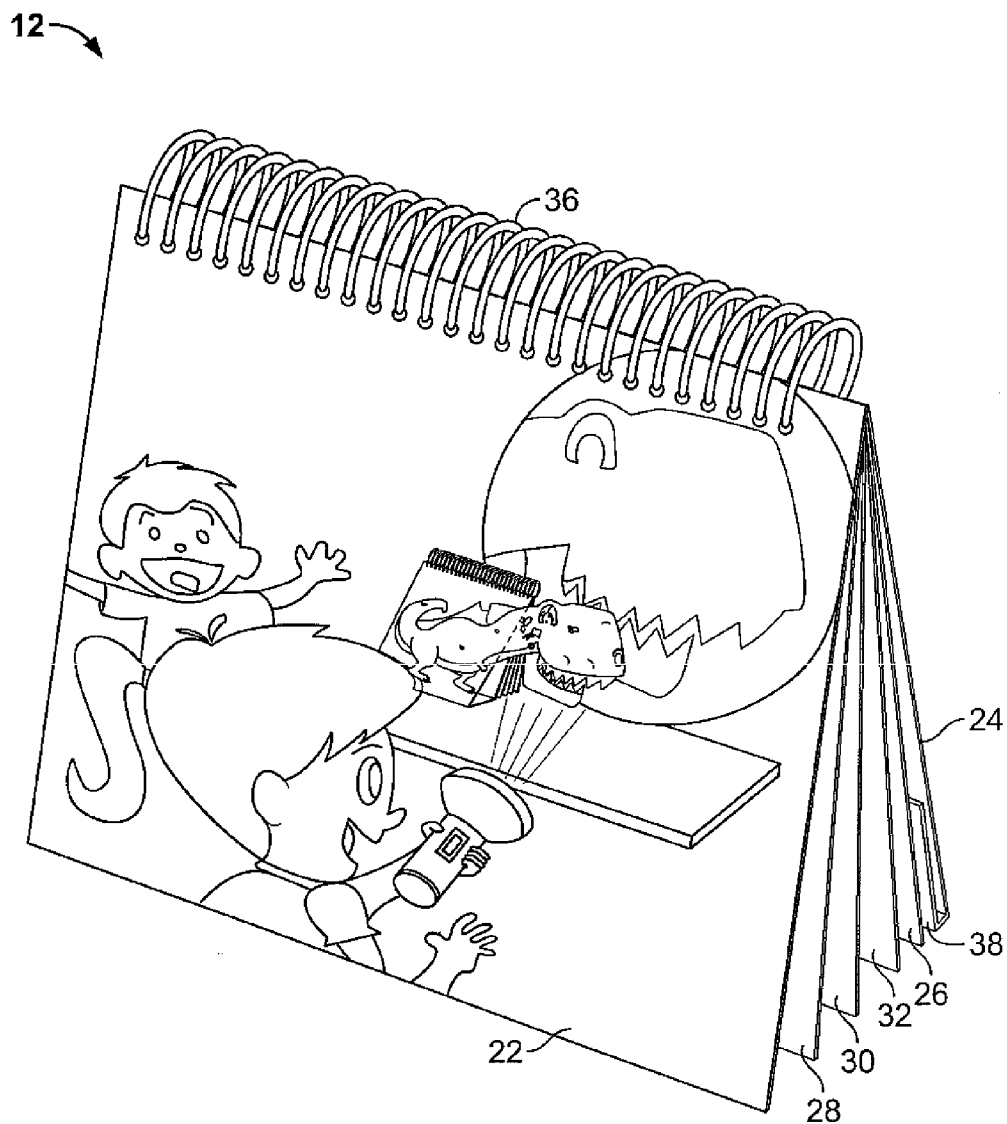
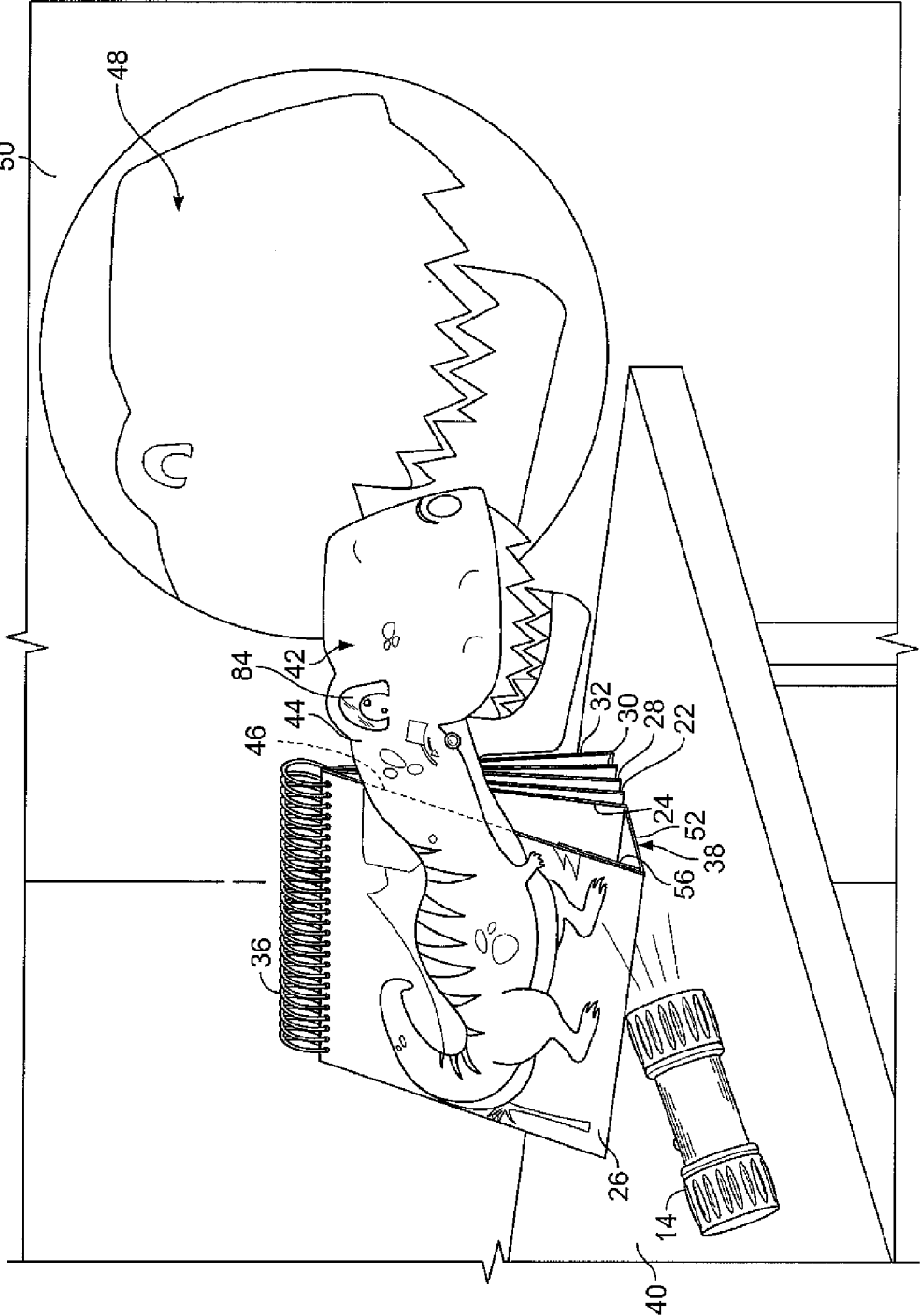


FIG. 3



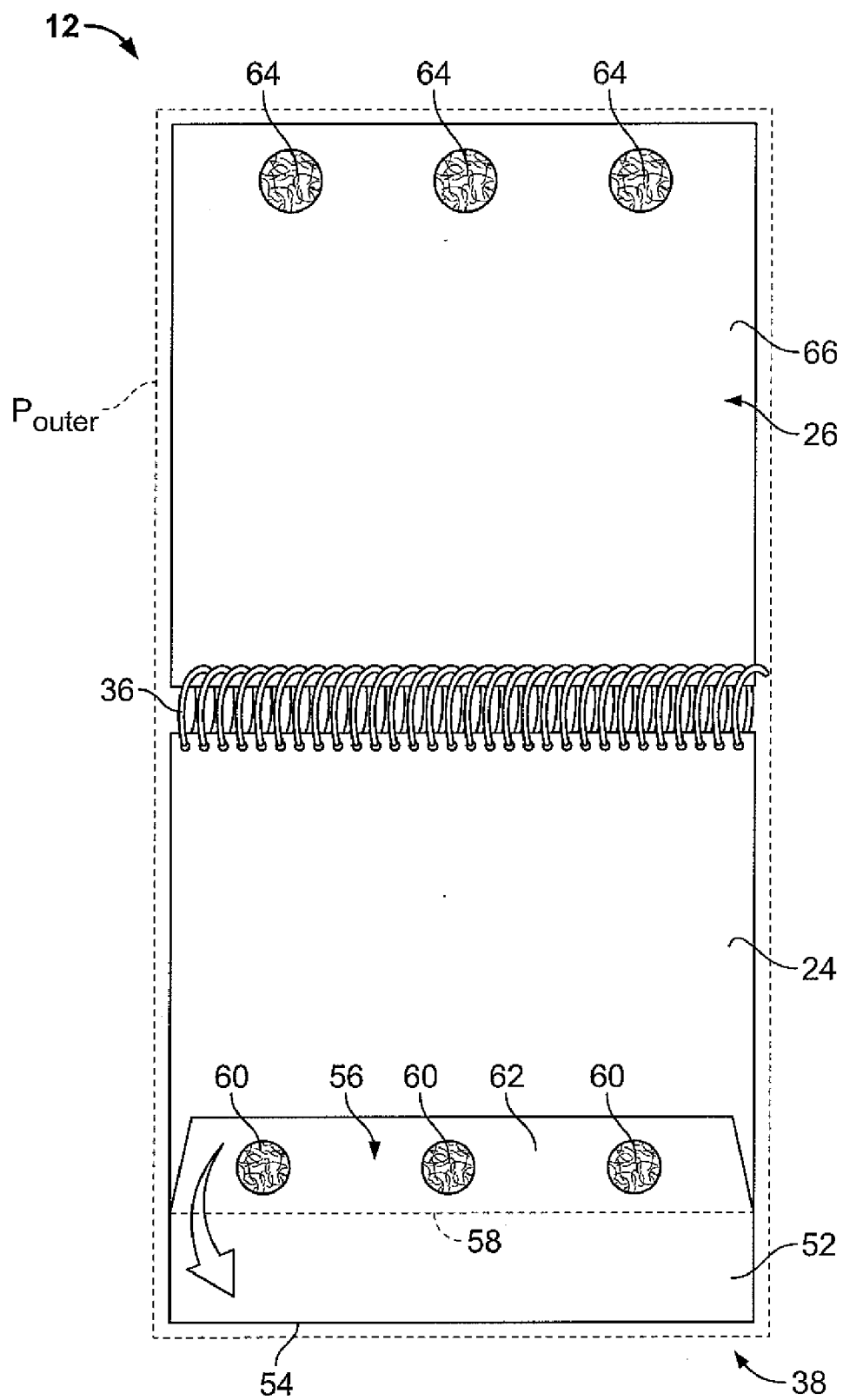


FIG. 5

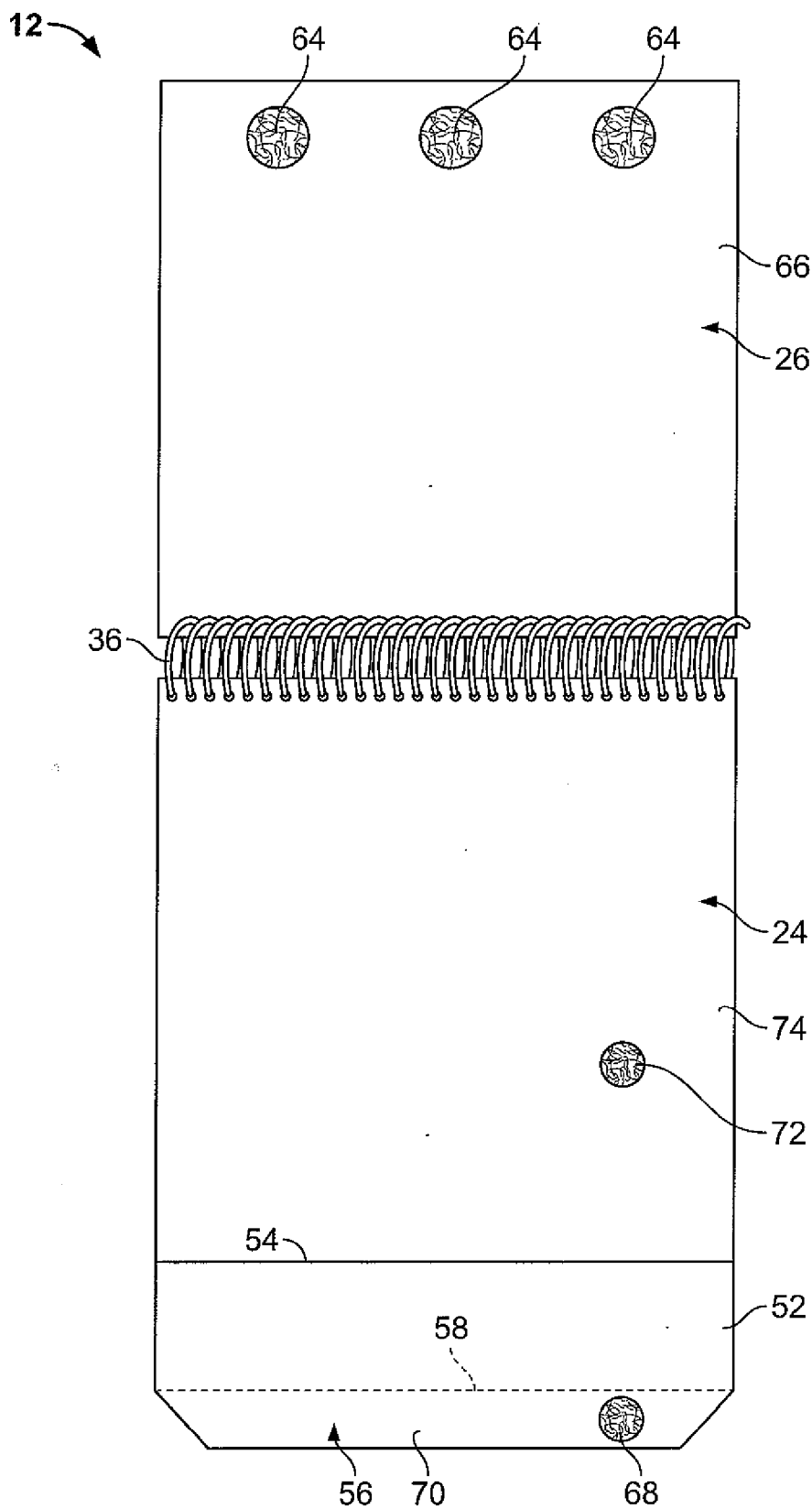


FIG. 6

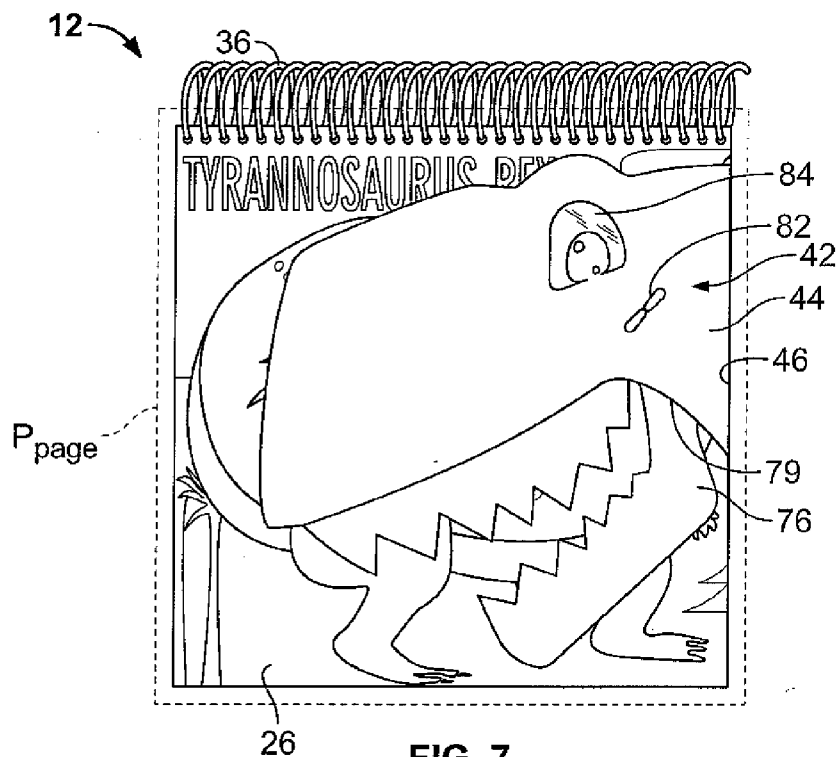


FIG. 7

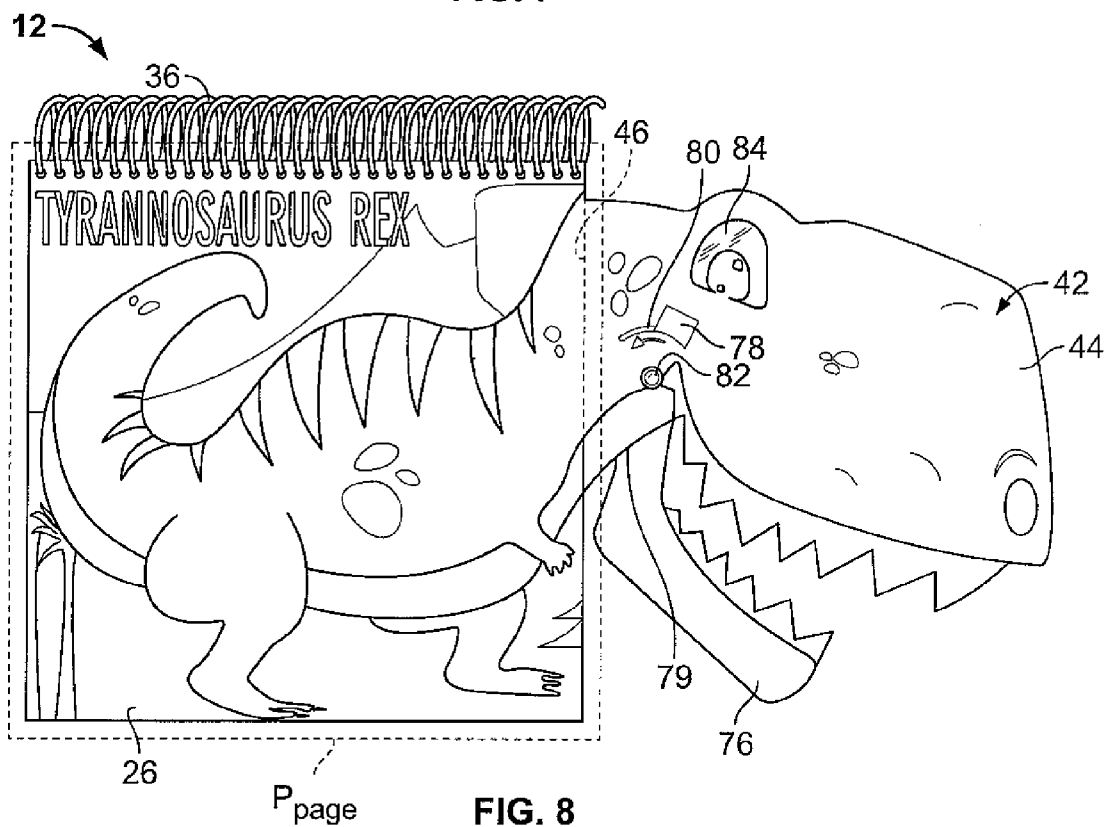


FIG. 8

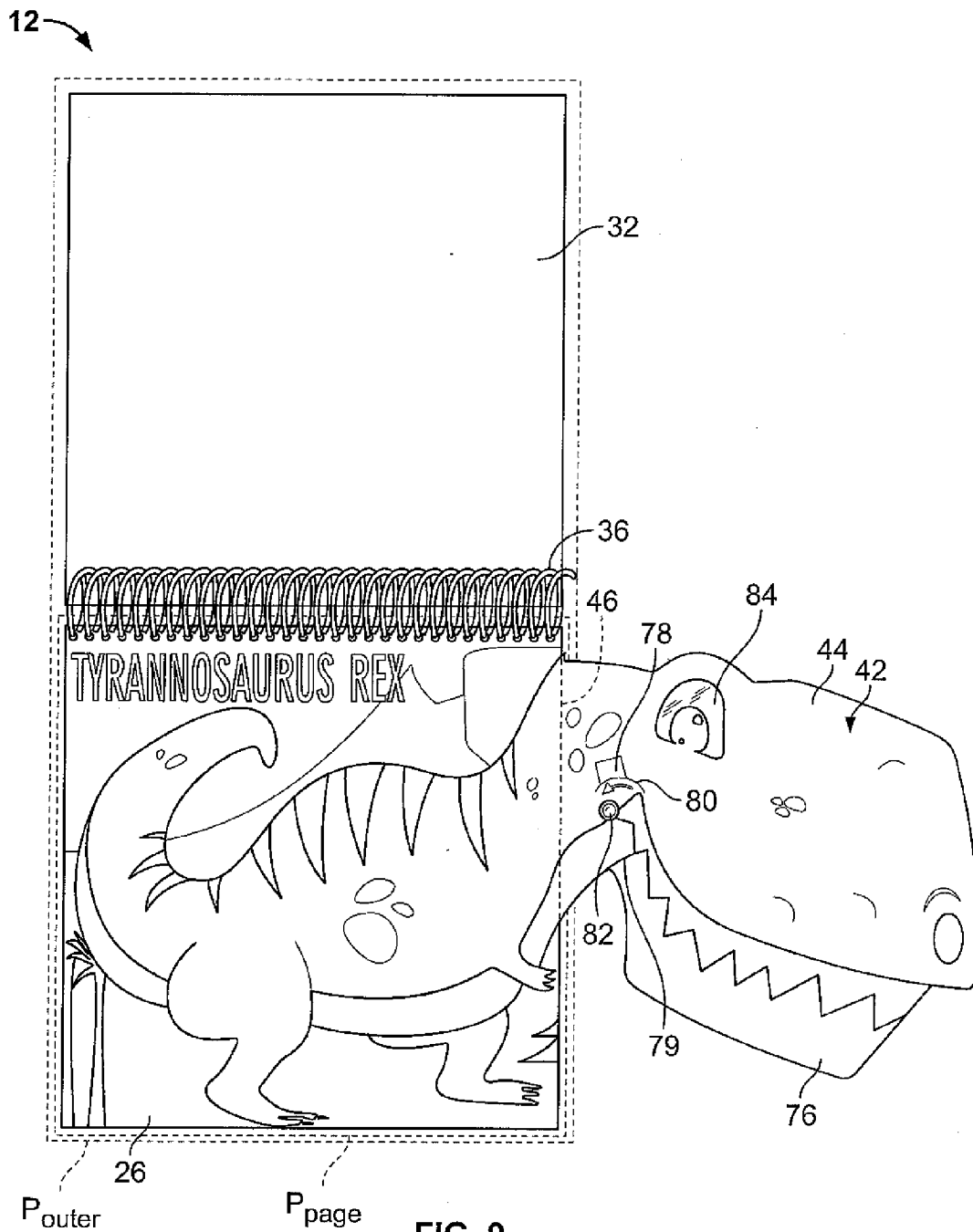


FIG. 9

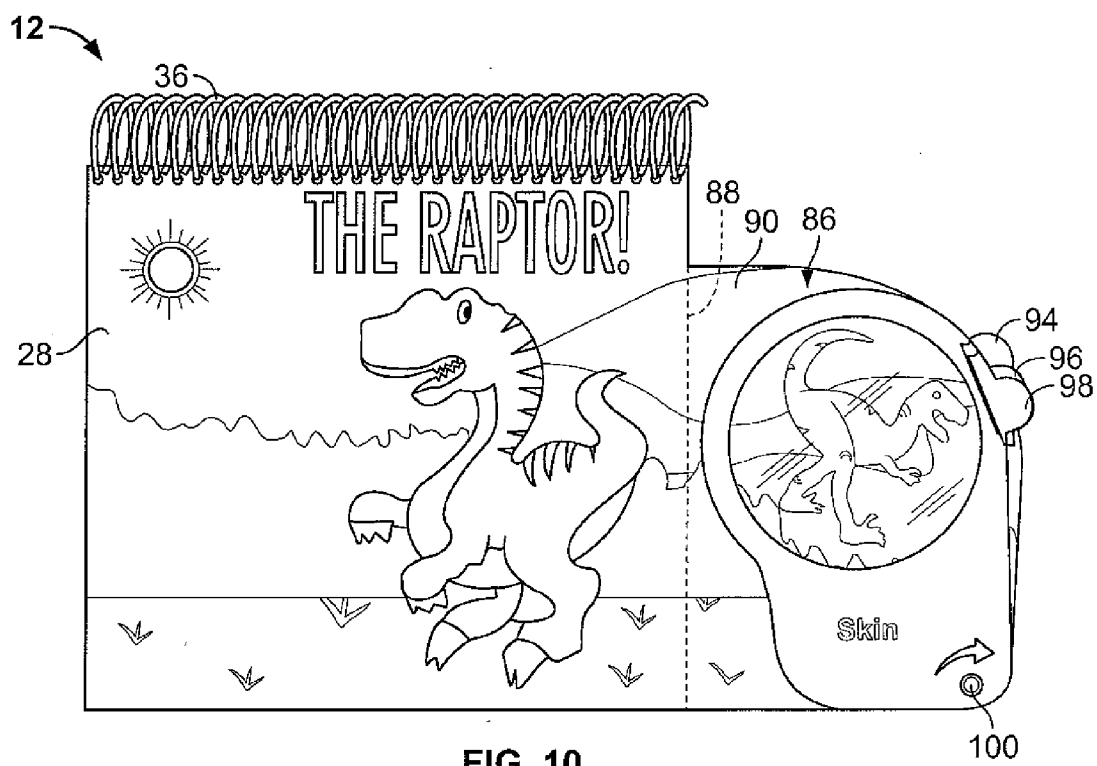


FIG. 10

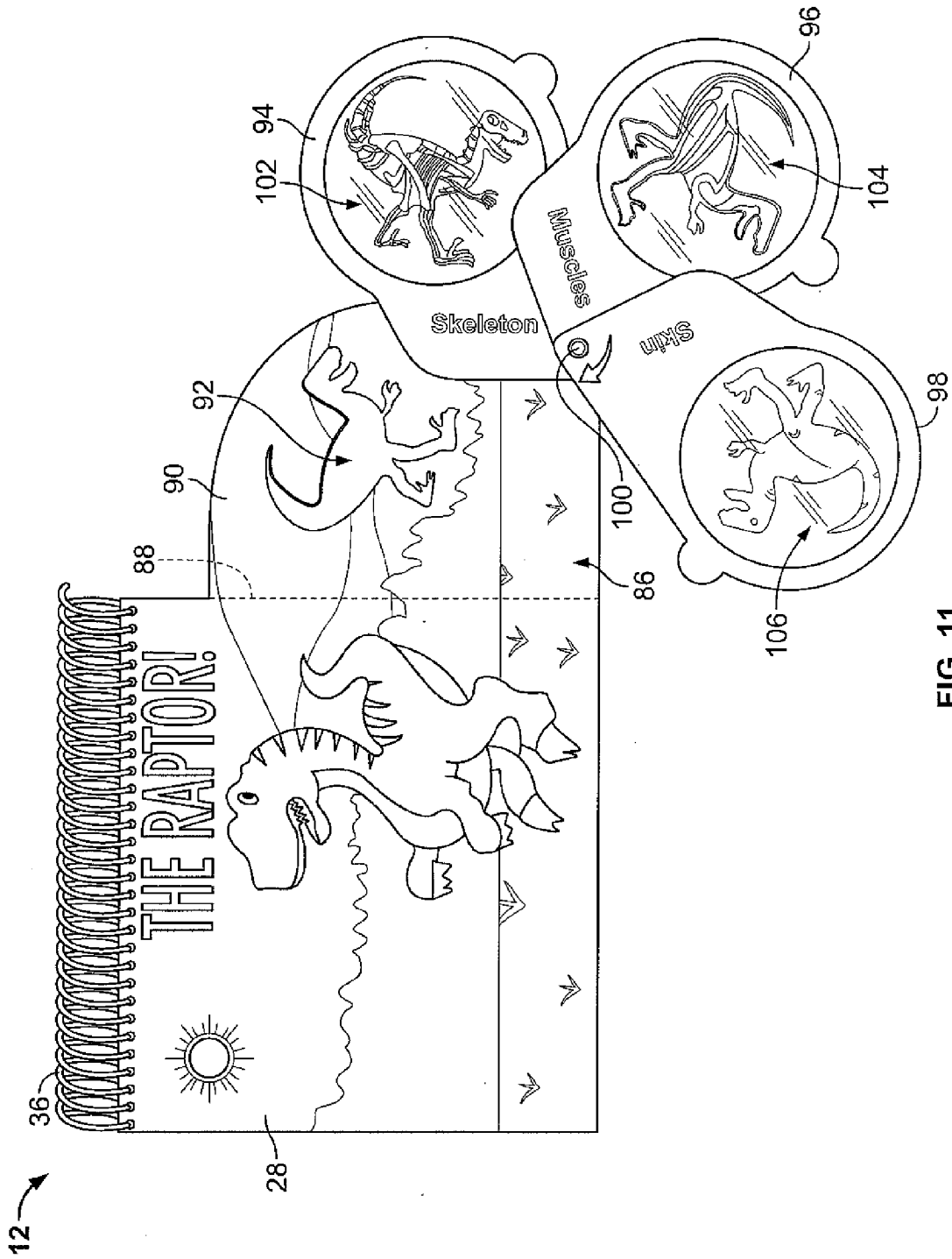
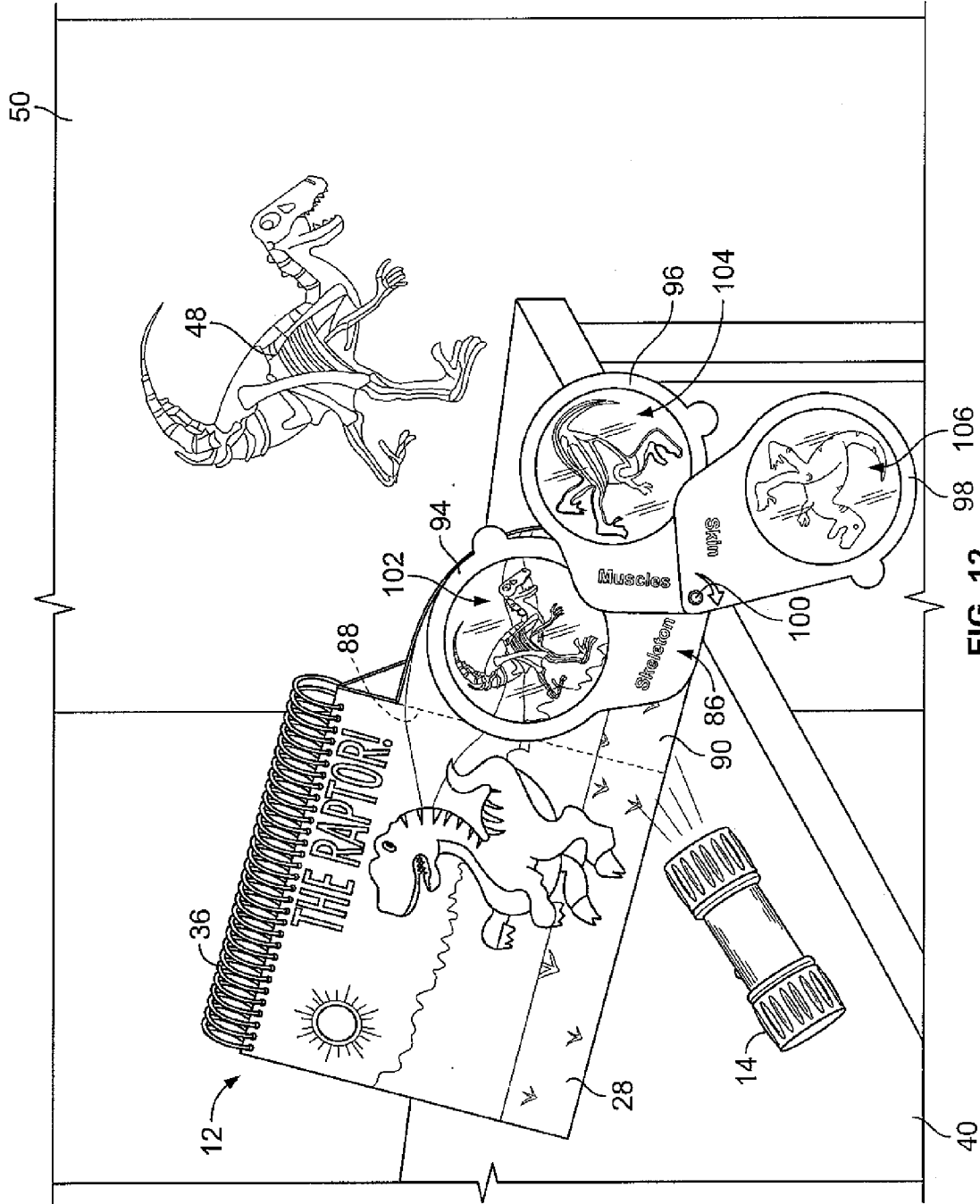


FIG. 11



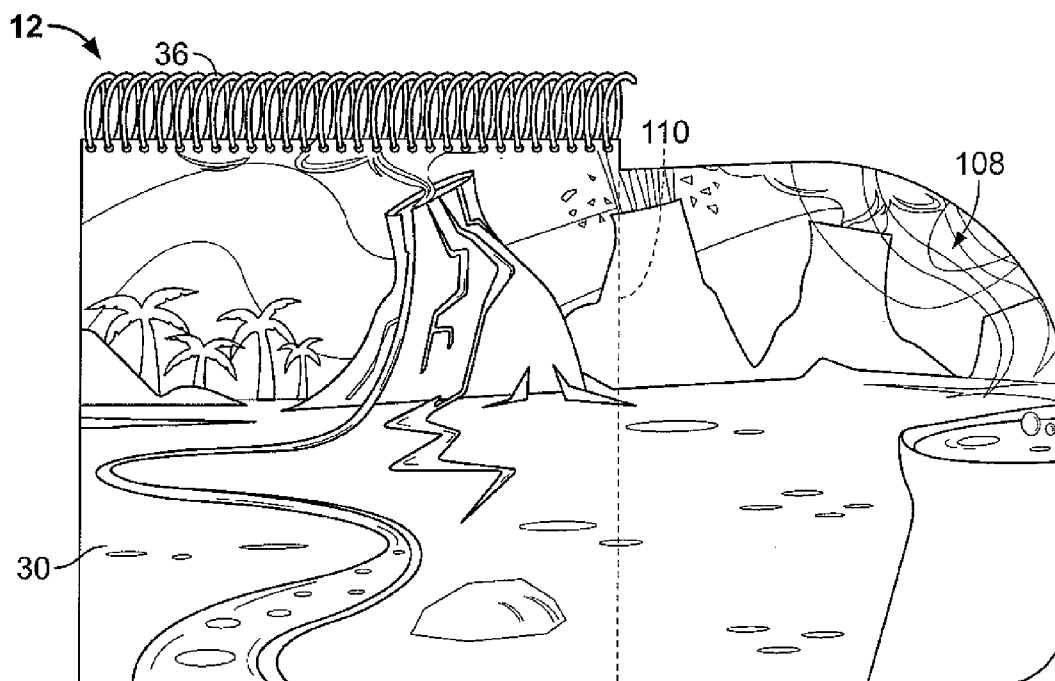


FIG. 13

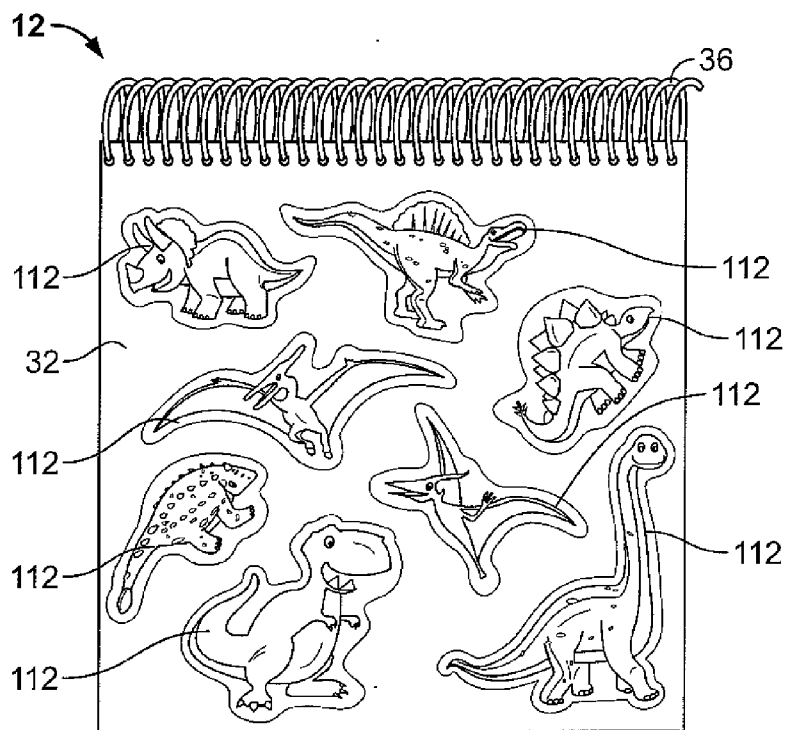


FIG. 14

114 →

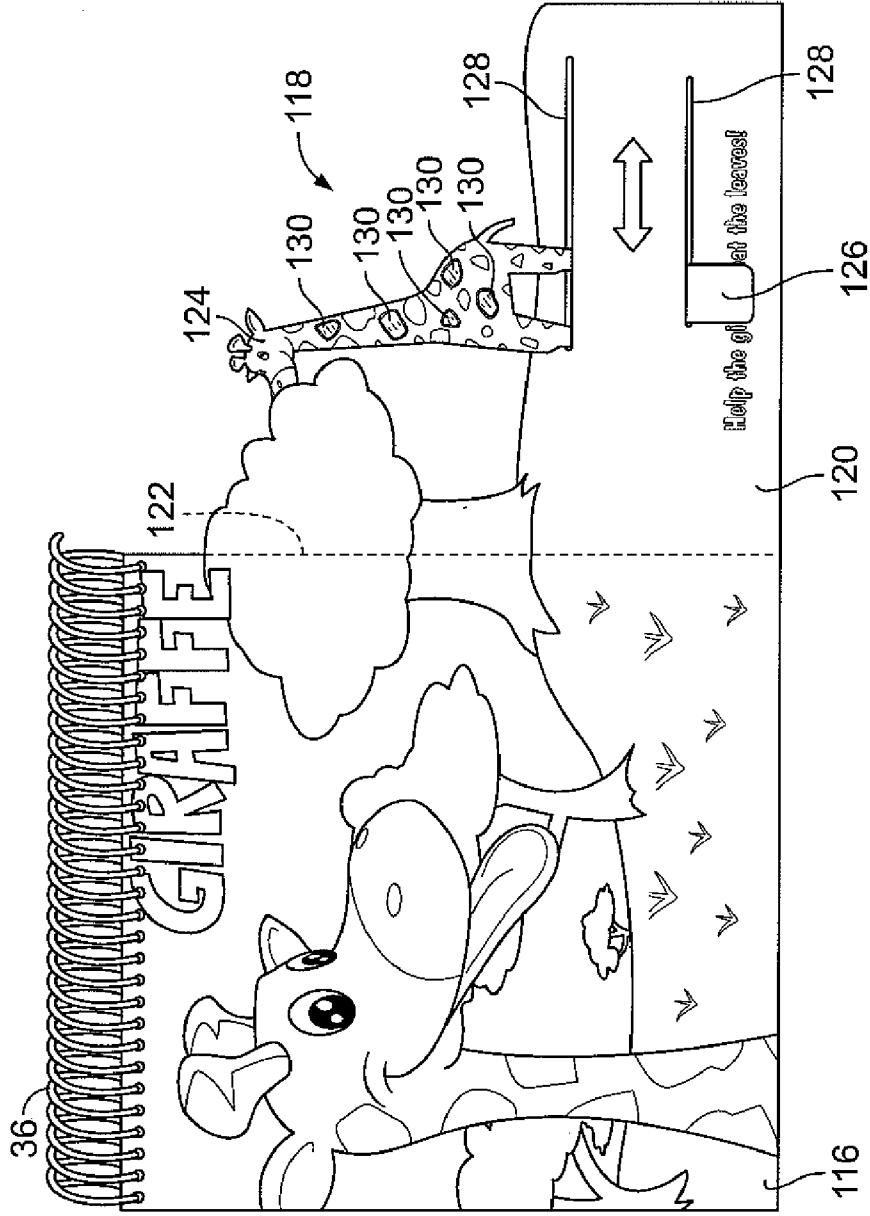
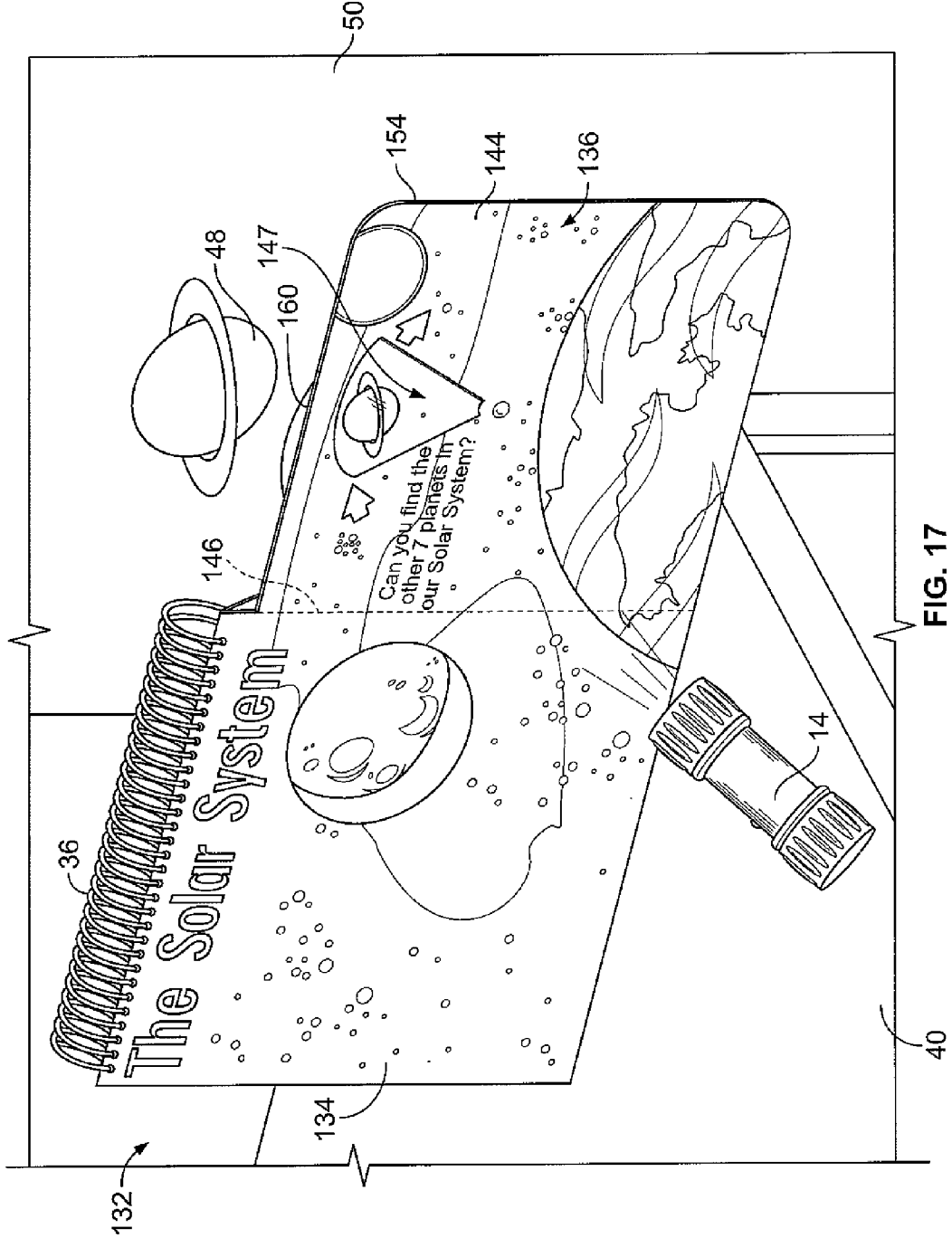


FIG. 16



136 →

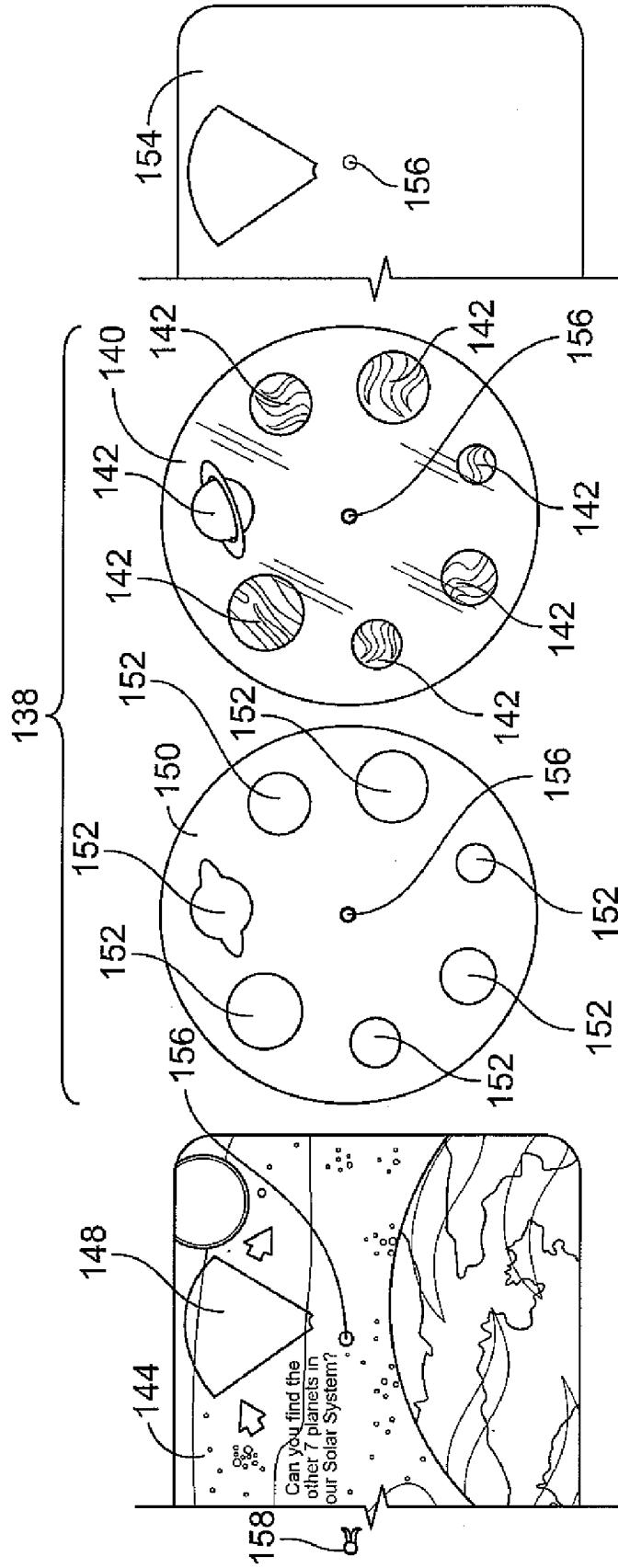


FIG. 18

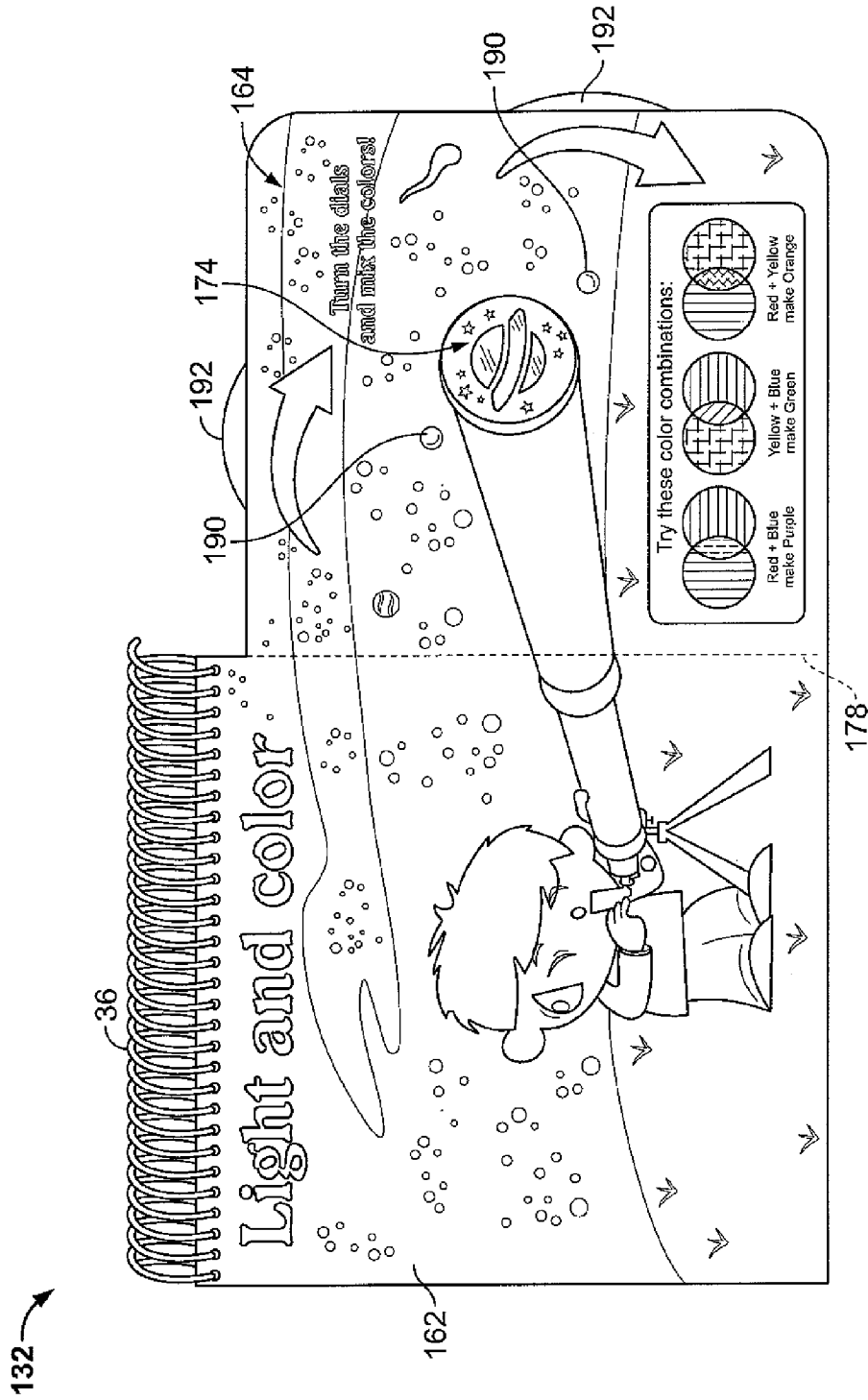


FIG. 19

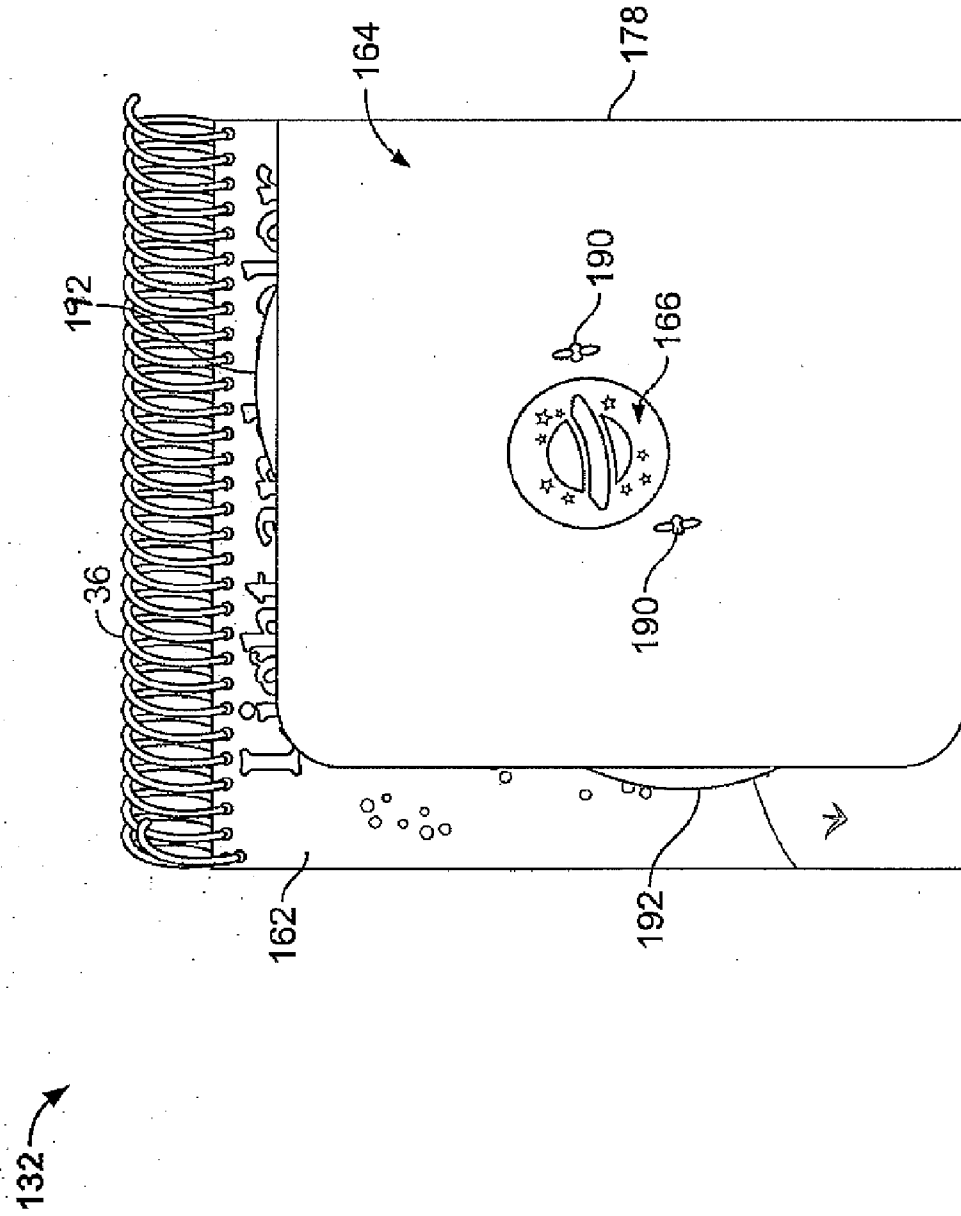


FIG. 21

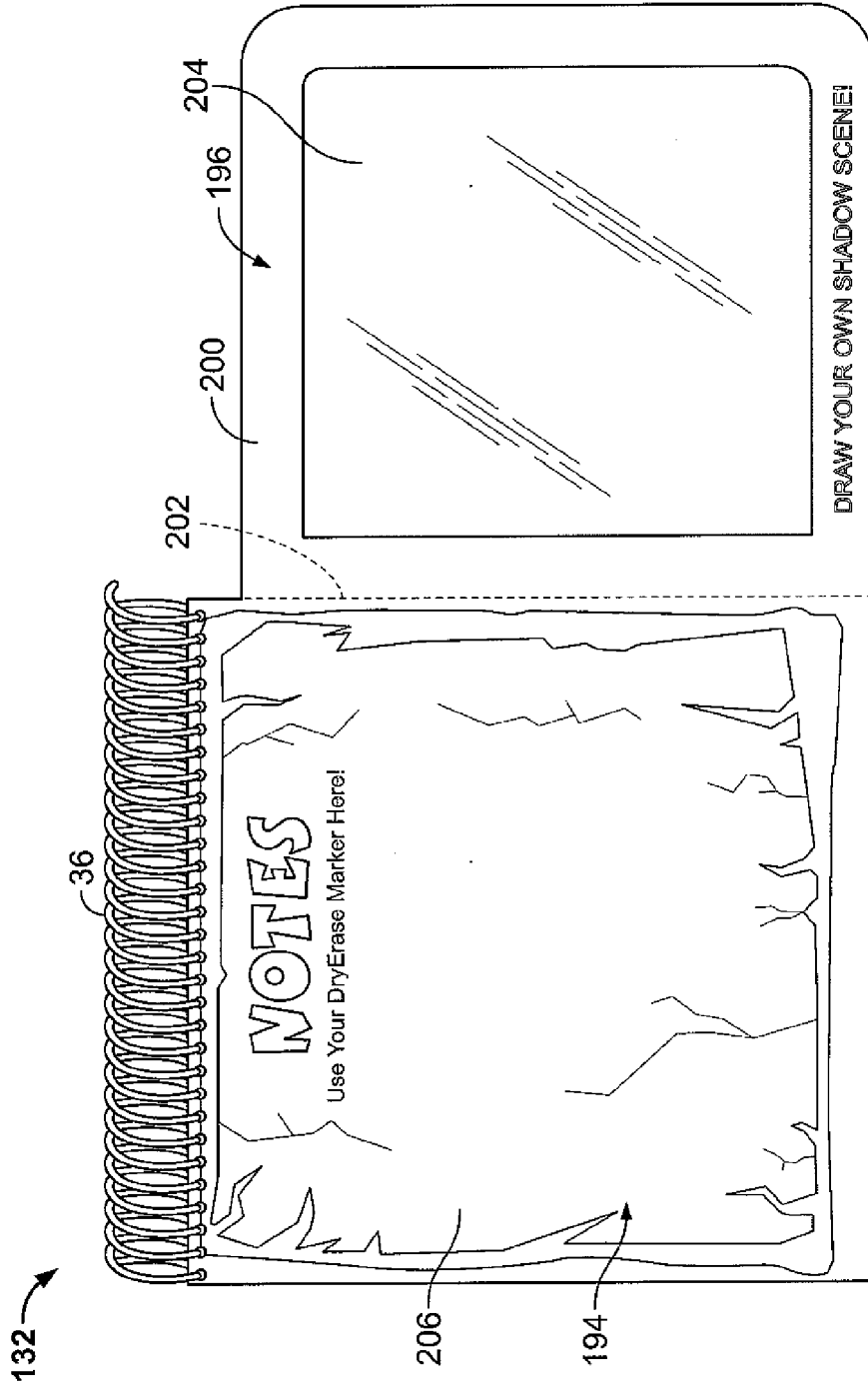
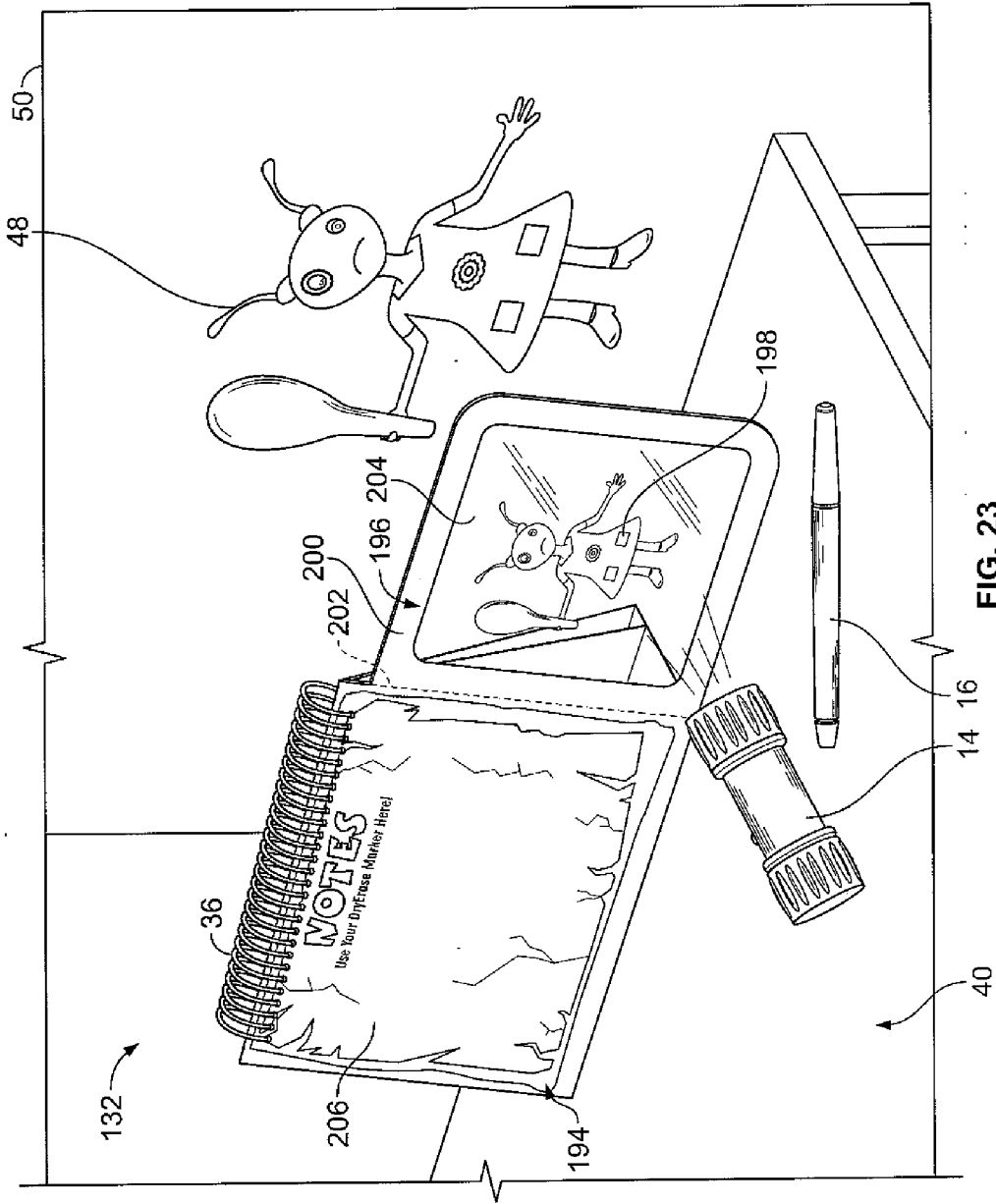


FIG. 22



SHADOW ACTIVITY BOOK

FIELD OF THE INVENTION

[0001] The present invention relates generally to a shadow activity book and methods of use thereof. In particular, exemplary embodiments of the invention relate to a book provided with a novelty item configurable to have an image thereof projected to an external structure.

BACKGROUND OF THE INVENTION

[0002] It is known in the art to provide shadow puppets for the purposes of entertainment and education. Shadow puppetry typically utilizes one or more paper or cardboard sections having the shape of a desired character. In a dark room, a directed light source is projected upon a surface, such as a wall, and the cardboard sections or "shadow puppets" are manipulated in the line-of-sight between the directed light source and the wall, so as to form image(s) thereon. Shadow puppetry is an ancient practice and is highly valued for its storytelling and entertainment value. However, what is needed in the art are systems and methods for shadow puppetry that provided enhanced entertainment, educational, and/or information value.

SUMMARY OF THE INVENTION

[0003] The present invention overcomes the disadvantages and shortcomings of the prior art by providing a shadow activity book that provides enhanced entertainment, educational, informational, and/or other value to a user thereof.

[0004] In an exemplary embodiment of the invention, a shadow activity book is provided as a bound arrangement having at least one cover and a plurality of pages. The bound arrangement preferably defines an outer perimeter, and a novelty item can be secured to a page of the book. The novelty item is preferably movable from a first position, in which the novelty item is positioned substantially within the outer perimeter, and a second position, in which the novelty item extends beyond the outer perimeter. A design can be disposed on and distributed across the page and the novelty item, and the novelty item can be provided with movable sections, translucent and/or transparent sections, and/or other sections. The shadow activity book can be used with a flashlight to project a shadow image of the novelty item onto an environmental structure, such as the wall of a room.

[0005] In some aspects, the novelty item can be provided with one or more clear or colored gels, and a design may be disposed on the gel(s) for inclusion in the shadow image. As used herein, the terms "gel" and "gels" shall be broadly construed to refer to any suitable transparent and/or translucent, colored and/or clear material.

[0006] Wheel assemblies can be provided with multiple gels and/or multiple designs for user selection thereof for inclusion with the shadow image. A writing instrument may be provided for disposing a design on a translucent and/or transparent section of the novelty item for inclusion in a projected shadow image.

[0007] The shadow activity book can, in some aspects, be provided with a base that is integrally formed with a cover. The base can be configured to rest upon a substantially horizontal environmental surface, e.g., a table surface, such that the novelty item is upright or in an otherwise angled orientation with respect to the substantially horizontal environmental surface.

[0008] Additional features, functions and benefits of the disclosed shadow activity kit, shadow activity book, and methods of use thereof therefore shall be apparent from the detailed description which follows, particularly when read in conjunction with the accompanying figures.

BRIEF DESCRIPTION OF THE DRAWINGS

[0009] For a more complete understanding of the present invention, reference is made to the following detailed description of exemplary embodiment(s) considered in conjunction with the accompanying drawings, in which:

[0010] FIG. 1 is a front view showing a shadow activity kit constructed in accordance with an exemplary embodiment of the present invention, the shadow activity kit being shown to include a shadow activity book having a dinosaur theme and further include a flashlight, a writing instrument and packaging therefor;

[0011] FIG. 2 is a rear view showing the shadow activity kit of FIG. 1;

[0012] FIG. 3 is a perspective view showing the shadow activity book of FIGS. 1 and 2, the shadow activity book having a front cover, a plurality of pages, a rear cover, and a base configurable to rest upon a surface;

[0013] FIG. 4 is a perspective view showing the shadow activity book of FIGS. 1-3 resting on a table and the flashlight of FIG. 1 in operation to project a shadow image onto a wall from a novelty item associated with a page of the plurality of pages;

[0014] FIG. 5 is a front view showing the shadow activity book of FIG. 1-4, the front cover and the plurality of pages having been rotated about one hundred eighty degrees from the rear cover about the binding to reveal an inside surface of the rear cover, a back surface of a rear page, hook and loop fastener portions secured to the back surface of the rear page, a front surface of the base, and hook and loop fastener portions secured to the front surface of the base;

[0015] FIG. 6 is a front view showing the shadow activity book of FIGS. 1-5, with the base having been unfolded to show a back surface of the base, a hook and loop fastener portion secured to the back surface of the base, and a hook and loop fastener fourth portion secured to the inside surface of the rear cover;

[0016] FIG. 7 is a front view showing the shadow activity book of FIGS. 1-6 with the rear page having been rotated to a position adjacent the rear cover to face forward, a novelty item being shown folded inside the perimeter of the page, and the novelty item shown as an extension, a movable section, and a transparent/translucent section forming the shape of a tyrannosaurus dinosaur head;

[0017] FIG. 8 is a front view showing the shadow activity book of FIGS. 1-7 with the novelty item unfolded to extend beyond the perimeter of the page, the novelty item being shown with the movable section forming a tyrannosaurus' lower jaw in an open position;

[0018] FIG. 9 is a front view showing the shadow activity book of FIGS. 1-8 with the novelty item unfolded to extend beyond the perimeter of the page, the novelty item being shown with the movable section forming the tyrannosaurus' lower jaw in a closed position;

[0019] FIG. 10 is a front view showing a second page of the shadow activity book of FIGS. 1-9, a second novelty item being shown unfolded to extend beyond the perimeter of the second page, the second novelty item including an extension

integrally formed with the second page and further including a plurality of gel assemblies rotatably secured to the extension;

[0020] FIG. 11 is a front view showing the second page of the shadow activity book of FIGS. 1-10, the gel assemblies being rotated to show a cutout in the shape of a raptor dinosaur;

[0021] FIG. 12 is a perspective view showing the second page of the shadow activity book of FIGS. 1-11 with the second novelty item in use;

[0022] FIG. 13 showing a third page of the shadow activity book of FIGS. 1-12 with an extension unfolded to extend beyond the perimeter of the third page, the extension having a surface for receiving stickers;

[0023] FIG. 14 showing a fourth page of the shadow activity book of FIGS. 1-13, the fourth page having a plurality of decorative stickers disposed on release surface, the stickers being removable for placement on the third page and extension of FIG. 13;

[0024] FIG. 15 is a front view showing a shadow activity kit constructed in accordance with a second exemplary embodiment of the present invention, a shadow activity book thereof having an animal theme, and a third novelty item being shown to include a movable giraffe in a first position;

[0025] FIG. 16 is a front view showing the shadow activity book of FIG. 15 with the moveable giraffe being in a second position;

[0026] FIG. 17 is a perspective view showing a shadow activity kit constructed in accordance with a third exemplary embodiment of the present invention, the shadow activity book including a page and a fourth novelty item extending beyond the perimeter of the page, and the fourth novelty item being shown to include a wheel assembly having a plurality of planet designs disposed thereon;

[0027] FIG. 18 is an exploded view showing the fourth novelty item of the shadow activity book of FIG. 17;

[0028] FIG. 19 is a front view showing another page of the shadow activity book of FIGS. 17-18 with a fifth novelty item including a plurality of wheel assemblies having gels aligned with a transparent/translucent image of a planet design, the fifth novelty item being shown to extend beyond the perimeter of the page;

[0029] FIG. 20 is an exploded view showing the shadow activity book of FIGS. 17-19 with the fifth novelty item of FIG. 19;

[0030] FIG. 21 is a front view showing the second page of the shadow activity book of FIGS. 17-20, with the fifth novelty item of FIGS. 19-20 being shown folded substantially within the perimeter of the page;

[0031] FIG. 22 is a front view showing yet another page of the shadow activity book of FIGS. 17-21 with a sixth novelty item, the page including a dry erase surface, and the sixth novelty item including an acetate drawing surface for erasably receiving a design from a writing instrument; and

[0032] FIG. 23 is a perspective view showing the shadow activity book of FIGS. 17-22 with the sixth novelty item of FIG. 22 being used in combination with a writing instrument and a flashlight.

DETAILED DESCRIPTION OF THE EXEMPLARY EMBODIMENTS

[0033] Referring to FIGS. 1 and 2, a shadow activity kit 10 is shown constructed in accordance with an exemplary

embodiment of the present invention, in which a shadow activity book 12 is provided with a “dinosaur theme.” The shadow activity kit 10 can include the shadow activity book 12, a flashlight 14 or other light source, and writing instrument 16. As shown in FIG. 1, the shadow activity kit 10 can be provided with additional packaging material, such as a cardboard backing 18 and molded plastic 20, for packaging the flashlight 14 and/or writing instrument 16 together with the shadow activity book 12. It is noted, however, that the shadow activity book 12 can be provided separately from the flashlight 14 and/or the writing instrument 16. As shown, a design might be disposed on a front cover 22 of the shadow activity book 12. As shown in FIG. 2, it is contemplated that the cardboard backing 18 can be integrally formed with a rear cover 24 of the shadow activity book 12, though it is noted that packaging for the shadow activity kit 10 can be provided in any suitable manner known in the art.

[0034] Referring to FIG. 3 the shadow activity book 12 is shown with further detail. The shadow activity book 12 is shown to include a bound arrangement having a plurality of covers and a plurality of pages. For example, the shadow activity book 12 can include the front cover 22, the rear cover 24, a rear page 26, and a plurality of other pages 28, 30, 32. It should be understood that the relative terminology used herein, such as “front” and “rear,” is solely for the purposes of clarity and designation and is not intended to limit the invention to embodiments having a particular position and/or orientation. Accordingly, such relative terminology should not be construed to limit the scope of the present invention.

[0035] Wire binding 36 is shown to extend through a plurality of holes formed in the covers 22, 24 and the pages 26, 28, 30, 32, though any suitable binding known in the art (mechanical, chemical, or otherwise) can be provided. The shadow activity book 12 can be provided with a base 38, which is shown to be formed integrally with the rear cover 24. As discussed below with further detail, one or more novelty items (not shown in FIG. 3) can be provided.

[0036] Referring to FIG. 4 the shadow activity book 12 is shown in combination with the flashlight 14. The base 38 is shown in an assembled form such that the base 38 rests on a substantially horizontal environmental surface, such as a table 40, with a novelty item 42 upright or otherwise angled with respect to the surface of the table 40. The rear page 26 is secured to the base 38 in a manner further discussed below, and the front cover 22 and the pages 28, 30, 32 have been rotated about the binding 36 distal from the rear page 26. The novelty item 42 is provided in the form of a tyrannosaurus head, and, as shown, the novelty item 42 includes an extension 44 integrally formed with the rear page 26 and foldable along a score 46. The flashlight 14 projects a shadow image 48 of all or part of the novelty item 42 onto an environmental structure, such as a wall 50. Though it is preferable for the extension 44 to be secured to the rear page 26 by being formed integrally therewith, it is contemplated that the extension 44 can be secured to the page 26 by any suitable manner known in the art and with the use of any suitable additional or alternative structure known in the art.

[0037] Referring to FIGS. 5 and 6, the base 38 shall be described with further detail. The base 38 is preferably formed integrally with the rear cover 24. The base 38 can include a first flap 52 extending from the rear cover 24 and foldable about a score, which is referenced herein as a first base score 54, and which is shared with the rear cover 24. The

base **38** can include a second flap **56** extending from the first flap **52** and foldable along a score, which is referenced herein as a second base score **58**.

[0038] To secure the base **38** to the rear page **26** in the orientation of FIG. 4, fasteners, such as hook and loop fasteners, can be provided. In this regard, one or a plurality of hook and loop fastener first portions **60** are adhered or otherwise secured to a front surface **62** of the second flap **56**, and one or a plurality of hook and loop fastener second portions **64** complementary with the first portions **60** are secured to a back surface **66** of the rear page **26**.

[0039] To secure the base **38** in the orientation of FIGS. 3 and 5, additional hook and loop fasteners can be provided. For example, a hook and loop fastener third portion **68** can be adhered to a back surface **70** of the second flap **56** opposite the front surface **62**. In this regard, a hook and loop fastener fourth portion **72** complementary with the third portion **68** can be adhered to an inside surface **74** of the rear cover **24**.

[0040] Referring to FIGS. 7-9, a front view is shown of the shadow activity book **12** with the front cover **22** and the pages **28, 30, 32** having been rotated about the binding **36** to reveal the rear page **26**. The novelty item **42** is shown in FIG. 7 to be in a first position within the page perimeter P_{PAGE} (and, more generally, within the outer perimeter P_{OUTER} of the bound arrangement of the plurality of pages and covers). In FIG. 8, the novelty item **42** is shown to be in a second position that extends beyond the page perimeter P_{PAGE} (and beyond the outer perimeter P_{OUTER} of the bound arrangement of pages and covers, generally). In the first position, the novelty item **42** can be neatly positioned between the pages **26, 32** for storage of the shadow activity book **12**. In the second position, an unobstructed line-of-sight can easily be obtained from the flashlight **14** to the wall **50** with the novelty item **42** therebetween.

[0041] The novelty item **42** includes the extension **44**, which, as described above, can be integrally formed with the rear page **26** and foldable about the score **46**. The novelty item **42** can also include a movable section **76**, such as a paper or cardboard segment in the shape of a tyrannosaurus' lower jaw. The movable section **76** can be provided with a tab **78** that extends through a slit **80** formed in the extension **44**, and a fastener **82** extends through holes formed in the extension **44** and the movable section **76** to pivotally secure the extension **44** to the movable section **76**. Friction between the tab **78** and the extension **44** can be utilized to maintain the movable section **76** in place as desired.

[0042] The extension **44** can comprise two or more layers of paper, cardboard, etc, which can be formed from a single sheet of paper or cardboard that is folded-upon itself to provide two layers and therefore enhance rigidity. In this regard, a first planar layer of the extension **44** can be folded against a second planar layer of the extension **44** to define an internal cavity **79** between the layers for receiving the tab **78** therein, such that the first and second planar layers of the extension **44** form a friction fit with the tab **78**. It is thus contemplated that the rear page **26**, the first layer of the extension **44**, and the second layer of the extension **44** can be integrally formed of a continuous piece of paper, cardboard, or other suitable material.

[0043] As shown in FIGS. 7-9, a continuous design can be disposed on and distributed across the rear page **26** and the novelty item **42**. The continuous design is consistent with the dinosaur theme of the shadow activity book **12**, e.g., a tyrannosaurus design disposed on and distributed across the page **26**

and the novelty item **42**. It is contemplated that text consistent with the general theme (and/or the distributed design) can be disposed on the pages of the shadow activity book **12** (not shown).

[0044] The extension **44** can include an opaque material, such as paper or cardboard, and a transparent and/or translucent section **84** of the novelty item **42**, such as the eyes of the tyrannosaurus can be formed of a material that is transparent and/or translucent, such as a light gel. Acetate, clear plastic, or any other suitable material is contemplated for the transparent/translucent section **84** and/or those other components described herein as being transparent and/or translucent. The transparent/translucent section **84** can be formed of any color and can have an opaque design disposed thereon. For example, the transparent/translucent section **84** can be formed of a transparent red material, such that, when the flashlight is directed at a wall **50** with the novelty item **42** therebetween, a shadow image **48** forms that includes a shadow-colored tyrannosaurus head and red-colored tyrannosaurus eyes. The transparent/translucent section **84** can be secured by being received in the internal cavity **79** formed by the extension **44**, for example.

[0045] Referring to FIGS. 10-12, further discussion shall be had of the page **28** and a novelty item which is associated therewith, which is referenced herein as a second novelty item **86**. The page **28** and the second novelty item **86** have disposed thereon and distributed thereacross a raptor design showing a raptor dinosaur and its environment. The second novelty item **86** is shown in a second position extending beyond the page perimeter P_{PAGE} of the page **28** (and beyond the outer perimeter P_{OUTER} of the bound arrangement of pages and covers, generally). A score **88** is provided, and, similar to the rear page **26** and the novelty item **42** associated therewith having the tyrannosaurus design, it shall be understood that the second novelty item **86** is movable into a first position within the page perimeter P_{PAGE} of the page **28** (and within the outer perimeter P_{OUTER} of the bound arrangement of pages and covers, generally).

[0046] The second novelty item **86** includes an extension **90** integrally formed with the page **28** at the score **88**. The second novelty item **86** has formed therein an opening, which is referenced herein as a cutout **92**, and which has the shape of a raptor dinosaur. A plurality of gel assemblies **94, 96, 98** are provided and pivotally secured to the extension **90** by a fastener **100**. Each one of the gel assemblies **94, 96, 98** includes a transparent and/or translucent section **102, 104, 106** of any desired color. A design of a raptor skeleton is disposed on the transparent and/or translucent section **102** of the gel assembly **94** for pivotal alignment with the cutout **92** by a user, a design of a raptor muscular system is disposed on the transparent and/or translucent section **104** of the gel assembly **96** for pivotal alignment with the cutout **92** by the user, and a design of the raptor's skin is disposed on the transparent and/or translucent section **106** of the gel assembly **98** for pivotal alignment with the cutout **92** by the user. A user can use the flashlight **14** to form a shadow image **48** on the wall **50** of each one of the designs by aligning one of the gel assemblies **94, 96, 98** with the cutout **92** and shining the flashlight **14** toward the wall **50** with the cutout **92** of the second novelty item **86** positioned therebetween.

[0047] Referring to FIGS. 13 and 14, further discussion shall be had of the pages **30, 32** and a fold-out **108**. The page **30** and the fold-out **108** have disposed thereon and distributed thereacross a volcanic design consistent with the dinosaur

theme of the shadow activity book **12**. The fold-out **108** is shown in a second position extending beyond the page perimeter P_{PAGE} of the page **30** (and beyond the outer perimeter P_{OUTER} of the bound arrangement of pages and covers, generally). A score **110** is provided, and, similar to the rear page **26** and the novelty item **42** associated therewith having the tyrannosaurus design, it shall be understood that the fold-out **108** is movable into a first position within the page perimeter P_{PAGE} of the page **30** (and within the outer perimeter P_{OUTER} of the bound arrangement of pages and covers, generally). The fold-out **108** is shown to comprise an extension that is secured with the page **30** by being formed integrally therewith, though it is contemplated that any suitable means for securing the fold-out **108** to the page can be utilized. As shown in FIG. **14**, the page **32** comprises a release surface upon which a plurality of decorative stickers **112** are positioned. Consistent with the theme of the shadow activity book **12**, each one of the stickers **112** are provided with the shape of a dinosaur. A user can remove the stickers **112** and place them on the page **30** and/or the fold-out **108**.

[0048] Referring to FIGS. **15** and **16**, a shadow activity kit **113** having a shadow activity book **114** is shown constructed in accordance with a second exemplary embodiment of the present invention. The embodiment of the present invention shown in FIGS. **15** and **16** is constructed and used in manners consistent with the foregoing descriptions of the shadow activity kit **10** and the shadow activity book **12** of FIGS. **1-14**, except that the shadow activity kit **113** and the shadow activity book **114** have an “animal theme.”

[0049] The shadow activity book **114** includes a page **116** and a third novelty item **118** associated therewith. A giraffe design is disposed on and distributed across the page **116** and the third novelty item **118**. The third novelty item **118** includes the extension **120**, which can be integrally formed with the page **116** and foldable about a score **122**. The third novelty item **118** can also include a movable section **124**, such as a paper or cardboard segment in the shape of a giraffe. The movable section **124** can be provided with a tab **126** that extends through a plurality of slits **128** formed in the extension **120**. A user can grasp the tab **126** and move the giraffe between a first position distal from a tree shape and a second position proximal the tree design to simulate the feeding of the giraffe. Friction between the tab **126** and the extension **120** can be utilized to maintain the movable section **124** in place as desired. The movable section **124** can be formed generally from an opaque material and have a plurality of transparent and/or translucent sections **130** in the shape of a giraffe spot. The transparent and/or translucent sections **130** can be selected to have any desired color. For example, the transparent and/or translucent sections **130** can be formed of a transparent yellow gel, such that, when the flashlight **14** is directed at a wall **50** with the third novelty item **118** therebetween, a shadow image **48** forms that includes a shadow-colored giraffe and yellow-colored giraffe spots. The extension **120** can comprise a continuous sheet folded upon itself for form a plurality of layers with an internal cavity defined therebetween, and the transparent/translucent sections **130** can be secured by being received in the internal cavity formed by the extension **120**, for example.

[0050] The third novelty item **118** is shown in a second position extending beyond the page perimeter P_{PAGE} of the page **116** (and beyond the outer perimeter P_{OUTER} of the bound arrangement of pages and covers of the shadow activity book **114**, generally). Similar to the rear page **26** and the

novelty item **42** associated therewith having the tyrannosaurus design, it shall be understood that the third novelty item **118** is movable into a first position within the page perimeter P_{PAGE} of the page **116** (and within the outer perimeter P_{OUTER} of the bound arrangement of pages and covers of the shadow activity book **114**, generally). For example, the third novelty item **118** can be folded about the score **122**.

[0051] Referring to FIGS. **17-22**, a shadow activity book **132** is shown constructed in accordance with a third exemplary embodiment of the present invention. The embodiment of the present invention shown in FIGS. **17-22** is constructed and used in manners consistent with the foregoing descriptions of the shadow activity kit **10** and the shadow activity book **12** of FIGS. **1-14**, except that the shadow activity book **132** has an “outer space theme.”

[0052] Referring to FIGS. **17-18**, the shadow activity book **132** includes a page **134** and a fourth novelty item **136** associated therewith. A solar system design is disposed on and distributed across the page **134** and the fourth novelty item **136**. The fourth novelty item **136** is provided in the form of a toy for allowing a user to shine a shadow image **48** of one of the planets onto the wall **50**. The fourth novelty item **136** includes a wheel assembly **138** having a decorated rotatable gel **140** having a plurality of planet designs **142** disposed thereon. The fourth novelty item **136** comprises an extension **144**, which can be integrally formed with the page **134** and foldable about a score **146**. The extension **144** has an opening **148** having a size and shape akin to each one of the planet designs **142** disposed on the rotatable gel **140**. To enhance structural integrity, the wheel assembly **138** include a rigid layer **150** adhered to the rotatable gel **140**, and the rigid layer **150** can be provided with a plurality of cutouts **152** each matching the size and shape of a corresponding planet design **142** (or other design) disposed on the rotatable gel **140**.

[0053] Continuing with reference to FIGS. **17-18**, the fourth novelty item **136** can be provided with a backing layer **154**, such as a cardboard layer, adhered to the extension **144** (or included as an integral and folded over part thereof) to define an internal cavity. The wheel assembly **138** can be positioned therebetween. Aligned openings **156** can be provided in the extension **144**, the wheel assembly **138**, and the backing layer **154**, for receiving a fastener **158** to secure together the extension **144**, the wheel assembly **138**, and the backing layer **154**. An exposed area **160** of the wheel assembly **138** extends from the internal cavity between the extension **144** and the backing layer **154**, where a user can rotate the wheel assembly **138**.

[0054] The fourth novelty item **136** is shown in a second position extending beyond the page perimeter P_{PAGE} of the page **134** (and beyond the outer perimeter P_{OUTER} of the bound arrangement of pages and covers of the shadow activity book **132**, generally). Similar to the rear page **26** and the novelty item **42** associated therewith having the tyrannosaurus design, it shall be understood that the fourth novelty item **136** is movable into a first position within the page perimeter P_{PAGE} of the page **134** (and within the outer perimeter P_{OUTER} of the bound arrangement of pages and covers of the shadow activity book **132**, generally). For example, the fourth novelty item **136** can be folded about the score **146**.

[0055] Referring to FIGS. **19-21**, the shadow activity book **132** includes a page **162** and a fifth novelty item **164** associated therewith. A design of a child using a telescope is disposed on and distributed across the page **162** and the fifth novelty item **164**. The fifth novelty item **164** is provided in the

form of a toy for allowing a user to shine a shadow image 48 of a planet design 166 on the wall 50 in one of a plurality of user-selectable colors. The fifth novelty item 164 includes a plurality of multi-colored gel wheel assemblies 168 each including a rigid wheel section 170 and four colored gels 172a-d held therein, such as a clear (or white) gel 172a, a red gel 172b, a yellow gel 172c, and a blue gel 172d. The gels 172a-d of one of the wheel assemblies 168 are alignable with the gels 172a-d of the other wheel assembly 168 at a viewing position 174 to enable a user to combine colors and select a color for inclusion in the shadow image 48. Referring to FIG. 20, the clear gel 172a of one wheel assembly 168 is shown to be aligned with the clear gel 172a of the other wheel assembly 168 at the viewing position 174.

[0056] The fifth novelty item 164 comprises an extension 176, which can be integrally formed with the page 162 and foldable about a score 178. The extension 176 has an opening 180 aligned with the viewing position 174 that has a size and shape similar to the gels 172a-d that are alignable therewith. A transparent and/or translucent material 182 having the planet design 166 disposed therein is aligned with the opening 180 and the viewing position 174, and the transparent and/or translucent material 182 is positioned between the extension 176 and the wheel assemblies 168. A backing layer 184, which is preferably formed of cardboard for example, is provided with the extension 176 (as an integral and folded-over part thereof defining an internal cavity, for example) and sandwiches the transparent or translucent material 182 and the wheel assemblies 168 therebetween. An opening 186 is formed in the backing layer 184 in alignment with the opening 180 of the extension 176, the planet design 166 of the transparent or translucent material 182, and those gels at the viewing position 174 of the wheel assemblies 168. A plurality of aligned holes 188 are formed in the backing layer 184, the extension 176, the transparent or translucent material 182, and the center point of the wheel assemblies 168. A plurality of fasteners 190 extend through the holes 188 to secure such components together, while allowing rotational motion of the wheel assemblies 168 about the respective center points thereof. Exposed areas 192 of the wheel assemblies 168 extend from the internal cavity of the extension 176, where a user can rotate the wheel assemblies 168 to achieve the desired color combination for the shadow image 48.

[0057] Referring to FIG. 19, the fifth novelty item 164 is shown in a second position extending beyond the page perimeter P_{PAGE} of the page 162 (and beyond the outer perimeter P_{OUTER} of the bound arrangement of pages and covers of the shadow activity book 132, generally). Similar to the rear page 26 and the novelty item 42 associated therewith having the tyrannosaurus design, and as shown in FIG. 21, for example, it shall be understood that the fifth novelty item 164 is movable into a first position within the page perimeter P_{PAGE} of the page 164 (and within the outer perimeter P_{OUTER} of the bound arrangement of pages and covers of the shadow activity book 132, generally). For example, the fifth novelty item 164 can be folded about the score 178.

[0058] Referring to FIGS. 22-23, the shadow activity book 132 includes a page 194 and a sixth novelty item 196 associated therewith. The sixth novelty item 196 is provided in the form of a toy for allowing a user to shine a shadow image 48 on the wall 50 of a user-disposed design 198. The sixth novelty item 196 comprises an extension 200, which can be integrally formed with the page 194 and foldable about a score 202. The extension 200 can be provided in the shape of

a frame or any other suitable shape, and a clear or colored transparent or translucent layer 204 can be positioned within the frame or otherwise secured by the extension 200. A user can use the writing instrument 16 to dispose a design 198 on the layer 204, and use the flashlight 14 to project a shadow image 48 with the user-disposed design 198 onto an environmental structure, such as the wall 50. The page 194 can be provided with a surface 206 also suitable for having a user dispose a design thereon. It is contemplated that the design disposed on the layer 204 and/or the surface 206 is dry erasable.

[0059] The sixth novelty item 196 is shown in a second position extending beyond the page perimeter P_{PAGE} of the page 194 (and beyond the outer perimeter P_{OUTER} of the bound arrangement of pages and covers of the shadow activity book 132, generally). Similar to the rear page 26 and the novelty item 42 associated therewith having the tyrannosaurus design, it shall be understood that the sixth novelty item 196 is movable into a first position within the page perimeter P_{PAGE} of the page 194 (and within the outer perimeter P_{OUTER} of the bound arrangement of pages and covers of the shadow activity book 132, generally). For example, the sixth novelty item 196 can be folded about the score 202.

[0060] It is contemplated that additional embodiments of the invention can be provided. For example, it is contemplated that a novelty item (and/or a page with which the novelty item is associated) can be provided with a pop-up structure across multiple planes or dimensions, e.g., in the x-y- and z-coordinate planes, and that the pop-up structure can be configured to extend toward a reader from a planar page surface and/or include transparent/translucent material(s) for providing color spectrums, e.g., a plurality of colors, for inclusion in a shadow design. It is further contemplated that such a novelty item can include an extension or other structure secured to the page and that the pop-up structure might extend beyond a perimeter of the extension or other structure secured to the page. It is yet further contemplated that the extension (or other structure secured to the page) might be secured to the page such that the extension might be hinged or rotatable with respect to the page.

[0061] As another example, it is contemplated that the shadow activity kit can be provided with a plastic molded toy item that includes a light-altering means, such as a convex lens and/or concave lens, for enabling a user to manipulate the appearance of a shadow image. It is further contemplated that the light-altering means might be used in combination with the pop-up structure to create entertaining effects in the shadow design.

[0062] It will be understood that the embodiments of the present invention described herein are merely exemplary and that a person skilled in the art may make many variations and modifications without departing from the spirit and the scope of the invention. All such variations and modifications, including those discussed above, are intended to be included within the scope of the invention as defined in the appended claims.

What is claimed is:

1. A shadow activity kit, comprising:

(a) a shadow activity book, comprising:

a bound arrangement including a cover and a plurality of pages, said bound arrangement defining an outer perimeter;

a novelty item (i) secured to a page of said plurality of pages, and (ii) movable from a first position, in which

said novelty item is positioned substantially within said outer perimeter, and a second position, in which said novelty item extends beyond said outer perimeter, said novelty item including an opaque section and another section, and said another section comprising at least one of a transparent section and a translucent section;

a base (i) integrally formed with said cover, and (ii) configurable to rest upon a substantially horizontal environmental surface with said novelty item being at an angled orientation with respect to the substantially horizontal environmental surface; and

(b) a flashlight for projecting onto an environmental structure a shadow image of said novelty item.

2. The shadow activity kit of claim 1, further comprising a writing instrument for disposing upon said another section of said novelty item indicia for inclusion in the shadow image.

3. The shadow activity kit of claim 2, wherein said base includes a first flap extending from said cover for resting upon the substantially horizontal environmental surface, and a second flap extending from said first flap, and wherein said second flap is releasably fastenable to at least one of said page and another page of said plurality of pages.

4. A shadow activity book, comprising:

a bound arrangement including a cover and a plurality of pages, said bound arrangement defining an outer perimeter;

a novelty item (i) secured to a page of said plurality of pages, and (ii) movable from a first position, in which said novelty item is positioned substantially within said outer perimeter, and a second position, in which said novelty item extends beyond said outer perimeter; and

a base (i) integrally formed with said cover, and (ii) configurable to rest upon a substantially horizontal environmental surface with said novelty item being at an angled orientation with respect to the substantially horizontal environmental surface.

5. The shadow activity book of claim 4, wherein said bound arrangement includes another cover, said cover being a rear cover and said another cover being a front cover.

6. The shadow activity book of claim 5, wherein said base includes a first flap extending from said rear cover for resting upon the substantially horizontal environmental surface, and a second flap extending from said first flap, wherein said second flap is releasably fastenable to at least one of said page and another page of said plurality of pages.

7. A shadow activity book, comprising:

a bound arrangement including a cover and a plurality of pages, said bound arrangement defining an outer perimeter; and

a novelty item (i) secured to a page of said plurality of pages, and (ii) movable from a first position, in which said novelty item is positioned substantially within said outer perimeter, and a second position, in which said novelty item extends beyond said outer perimeter, said novelty item including an opaque section and another section, and said another section comprising at least one of a transparent section and a translucent section.

8. The shadow activity book of claim 7, wherein said novelty item includes an extension integrally formed with said page, said novelty item being foldable between said first and second positions.

9. The shadow activity book of claim 8, including a base (i) integrally formed with said cover, and (ii) configurable to rest

upon a substantially horizontal environmental surface with said novelty item being at an angled orientation with respect to the substantially horizontal environmental surface.

10. The shadow activity book of claim 8, wherein said novelty item includes a section movable with respect to said extension.

11. The shadow activity book of claim 10, wherein a continuous design is disposed on and distributed across said page, said extension, and said movable section.

12. The shadow activity book of claim 7, wherein said another section comprises at least one gel.

13. The shadow activity book of claim 12, including a rotatable wheel assembly having said gel.

14. The shadow activity book of claim 13, wherein a plurality of designs are disposed on said gel.

15. The shadow activity book of claim 12, including a first wheel assembly having gels of a plurality of colors and a second wheel assembly having gels of a plurality of colors, said at least one gel having a design disposed therein, and said first wheel assembly and said second wheel assembly being rotatable to align a gel of said first wheel assembly and a gel of said second wheel assembly in a viewing position with said design.

16. A shadow activity kit comprising:

(a) a shadow activity book, comprising:

a bound arrangement including a cover and a plurality of pages, said bound arrangement defining an outer perimeter;

a novelty item (i) secured to a page of said plurality of pages, and (ii) movable from a first position, in which said novelty item is positioned substantially within said outer perimeter, and a second position, in which said novelty item extends beyond said outer perimeter; and

(b) a flashlight for projecting onto an environmental structure a shadow image of said novelty item.

17. The shadow activity kit of claim 16, wherein said novelty item includes an extension integrally formed with said page, said novelty item being foldable between said first and second positions.

18. The shadow activity kit of claim 17, wherein a continuous design is disposed on and distributed across said page and said novelty item.

19. The shadow activity kit of claim 16, wherein said novelty item includes at least one rotatable wheel assembly,

20. The shadow activity kit of claim 19, wherein said rotatable wheel assembly has a plurality of designs disposed thereon for selective inclusion in a shadow image by a user.

21. The shadow activity kit of claim 16, wherein said novelty item includes a gel having a design disposed thereon, a first wheel assembly having gels of a plurality of colors, and a second wheel assembly having gels of a plurality of colors, said first wheel assembly and said second wheel assembly being movable to align a gel of said first wheel assembly and a gel of said second wheel assembly in a viewing position with said design.

22. A method of creating a shadow image, comprising:

providing a shadow activity book having a bound arrangement that includes a cover and a plurality of pages and that defines an outer perimeter;

moving a novelty item secured to a page of the plurality of pages from a first position, in which the novelty item is positioned substantially within the outer perimeter, to a second position, in which the novelty item extends beyond the outer perimeter, and

shining a flashlight at the novelty item to project a shadow image of the novelty item onto an environmental structure.

23. The method of claim **22**, wherein the step of moving comprises moving from the first position to the second position an extension formed integrally with another section, the another section being at least one of a transparent section and a translucent section.

24. The method of claim **23**, wherein the step of shining comprises shining the flashlight at a design disposed on the another section to project the shadow image with the design onto the environmental structure.

25. The method of claim **24**, comprising using a writing instrument to dispose the design on said another section.

* * * * *